

Diaphragm Booster Pump Model Specifications



Models Specifications:



SHF-100G

Model Number: SHF-100G

Pump Design: Positive displacement 3 chamber diaphragm pump

Voltage: 24VDC

CAM: 3 degree

Pressure Switch: None

Motor: Permanent magnet

Ports: 3/8"-18 NPT female

Prime: Self-priming up to 2 meter

Liquid Temperature: 75° C(176° F) Max.

Material of Construction: PLASTICS - NYLON, VALVES - EPDM, DIAPHRAGM – SANTOPRENE

Bypass: 140psi

Net Weight: 1.85 kg

Duty Cycle: Continuous

Diaphragm Booster Pump Model Specifications



SHF-75G

Model Number: SHF-75G

Pump Design: Positive displacement 3 chamber diaphragm pump

Voltage: 24VDC

CAM: 3 degree

Pressure Switch: None

Motor: Permanent magnet

Ports: 3/8"-18 NPT female

Prime: Self-priming up to 2 meter

Liquid Temperature: 75° C(176° F) Max.

Material of Construction: PLASTICS - NYLON, VALVES - EPDM, DIAPHRAGM – SANTOPRENE

Bypass: 125psi

Net Weight: 1.85 kg

Duty Cycle: Continuous

Diaphragm Booster Pump Model Specifications



SHF-50G

Model Number: SHF-50G

Pump Design: Positive displacement 3 chamber diaphragm pump

Voltage: 24VDC

CAM: 3 degree

Pressure Switch: None

Motor: Permanent magnet

Ports: 3/8"-18 NPT female

Prime: Self-priming up to 2 meter

Liquid Temperature: 75° C(176° F) Max.

Material of Construction: PLASTICS - NYLON, VALVES - EPDM, DIAPHRAGM – SANTOPRENE

Bypass: 120psi

Net Weight: 1.85 kg

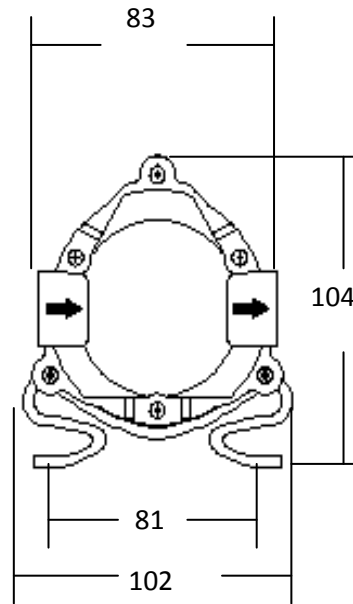
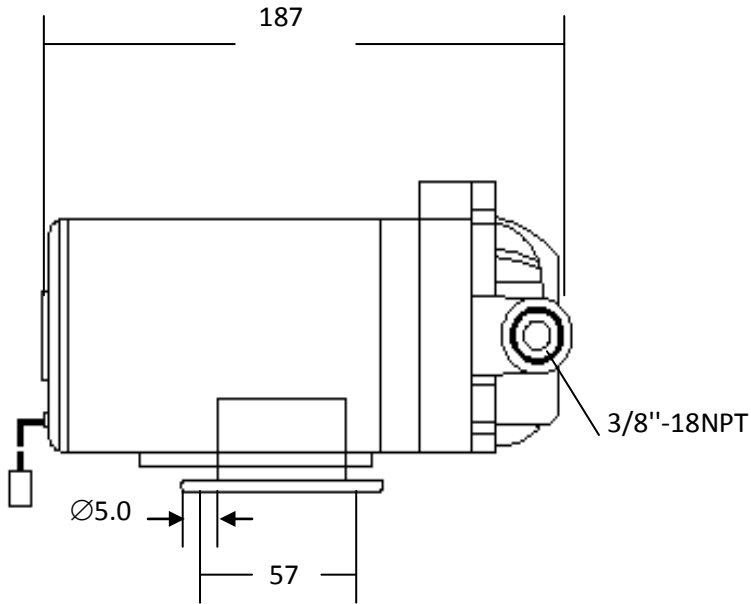
Duty Cycle: Continuous

Diaphragm Booster Pump Model Specifications



Technical Details:

Drawing:



Diaphragm Booster Pump Model Specifications



Specifications:

Specifications						
Voltage (Volts): 24VDC (Switch Power Supply)						
Inlet: 0psi (self priming)						
Model No.	SHF-50G		SHF-75G		SHF-100G	
Pressure (psi)	Flow (L/min)	Current (A)	Flow (L/min)	Current (A)	Flow (L/min)	Current (A)
10	0.88	0.30	1.04	0.29	1.49	0.44
20	0.84	0.35	0.99	0.36	1.44	0.53
30	0.80	0.41	0.94	0.42	1.37	0.61
40	0.74	0.46	0.89	0.48	1.31	0.69
50	0.7	0.50	0.84	0.55	1.21	0.79
60	0.64	0.57	0.79	0.61	1.14	0.88
70	0.58	0.62	0.72	0.66	1.07	0.95
80	0.50	0.67	0.61	0.75	0.86	4-Jan
90	0.32	0.72	0.43	0.81	0.65	1.11
100	0.10	0.77	0.17	0.85	0.18	1.12
BY PASS	105 PSI	0.78A	110 PSI	0.87A	115 PSI	1.24A

Performance Curve:

